

GC CP Series

Cartridge filters sanitary design for liquids and gases
Junior and Demi size cartridges

Main applications

Food & beverage
Specialty chemical
Cosmetics / Healthcare
Pharmaceutical

Characteristics

- Designed in accordance with EN 13445 code.
- Materials in contact with fluids: 316L-SS.
- Mechanically polished surfaces.
- Three different closure available:
 - V-Clamp standard
 - V-clamp with single bolt
 - V-Clamp Heavy Duty
- Suitable for 2.5" and 5" height cartridges.
- Suitable for SIP (in site sterilization) or CIP (in site sanitization).
- Compliant with 2014/68/UE PED Directive.
- Compliant with 2014/34/UE ATEX Directive.
- Suitable for liquids and gases Gr.1 and 2.
- In-line in/out connections on the filter head:
 - BSP-F or TriClover ASME BPE as standard
 - NPT-F as option.
- Standard head/bowl sealing with Silicone O-ring.
- 100% hydraulically tested filters.



CHARACTERISTICS	
Head / Bowl	316L-SS
V-clamp	304-SS
Internals	316L-SS
Gaskets	Silicone O-ring
Internal surface finishing	Mechanical polishing Ra < 0.8 µm (32 µin)
Internal surface finishing	Mechanical polishing
Cartridge connector	Internal O-ring 116
Design pressure	-1 ÷ 10 bar
Design temperature	-20 ÷ 150 °C
ATEX classification	II 2 GD IIC

Dimensions

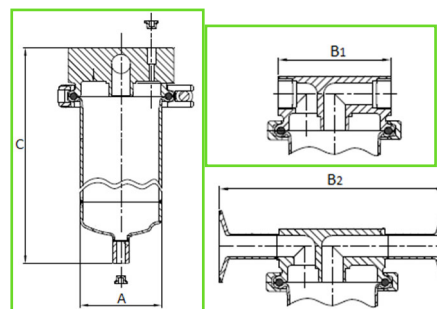
Model	Cartridge qty	Dimensions [mm]						
		A	B ₁	B ₂	C	In/out	Vent	Drain
GCCPV01DSA0HM-R088	1 x 2.5"	63.5	78		112	1/2" BSP	1/4" BSP	1/4" BSP
GCCPV01HSA0HM-R088	1 x 5"	63.5	78		198	1/2" BSP	1/4" BSP	1/4" BSP
GCCPV01DSA01C-R048	1 x 2.5"	63.5		152	112	1" TC	1/4" BSP	1/4" BSP
GCCPV01HSA01C-R048	1 x 5"	63.5		152	198	1" TC	1/4" BSP	1/4" BSP

Manufacturing tolerances: contact Asco Filtri.

B₁: in/out BSP. B₂: in/out TriClover ASME BPE.

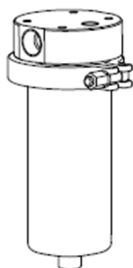
Plugs for vent and drain not included (available as option).

C: for V-Clamp HD and in/out 1" TC, add 18mm to the total height.

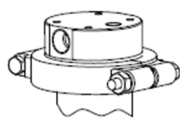


Model	Nr x H	Volume [lt]	Cat. PED	Weight [kg]
GCCPV01D	1 x 2.5"	0.22	4.3	1.3
LGCCPV01H	1 x 5"	0.36	4.3	1.3

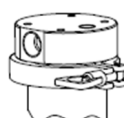
V-clamp w/ bolt



V-clamp HD



V-clamp standard



Optional accessories

1/4" BSPM plugs for vent and drain.

Pressure gauge with lateral ball valve for vent, 1/4" BSP-M connection.

Drain ball valve, 1/4" BSP-M connection.

Contact us for any further information.